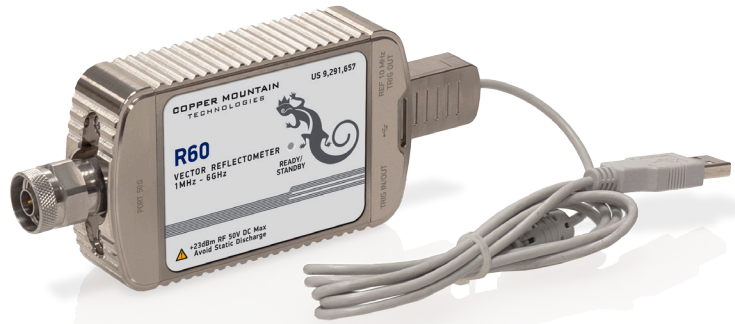


Reflectometer Series:

R60 Assembly Instructions

Connecting mini USB Cable¹ to R60



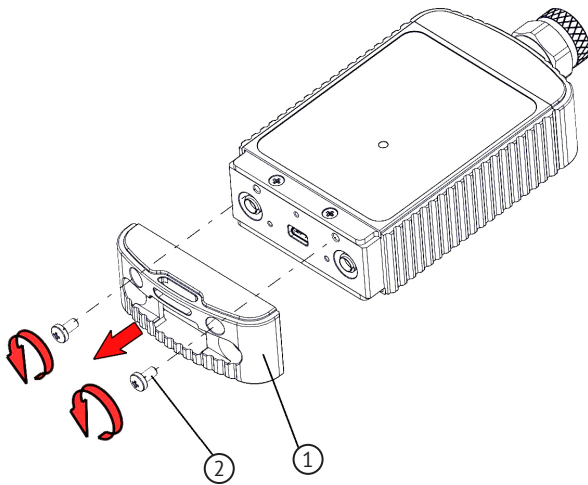
Tools Required:



STEP 1

Remove the rear cover by unscrewing two M3x6 din 7985 screws.

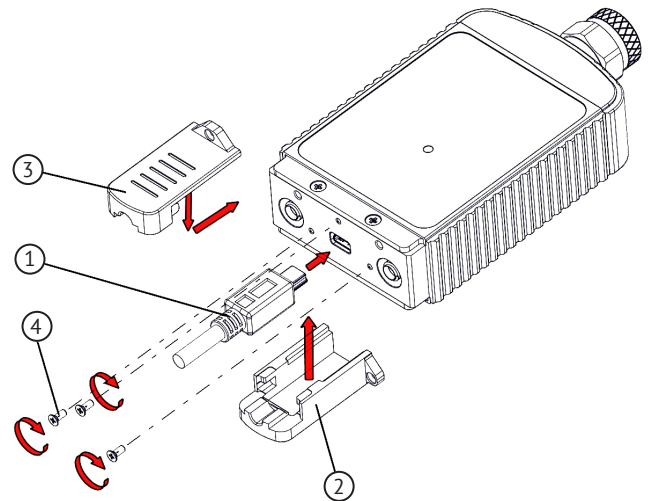
Index	Description	Qty
1	Rear Cover	1
2	M3x6 din 7985 Screw	2



STEP 2

Plug the connector of the supplied mini USB cable into the appropriate female connector of the R60

Index	Description	Qty
1	Mini USB Cable	1
2	USB Bottom Enclosure	1
3	USB Top Enclosure	1
4	M2x5 din 965 Screw	3



STEP 3

Screw the US bottom enclosure to the R60 housing by the M2x5 din 965 screws (2 pcs).

STEP 4

Insert the USB top enclosure into the grooves of the USB bottom enclosure and attach to the R60 with the M2x5 din 965 (1 pc) screw.

¹ Connecting the mini USB cable to the R60 without the protective USB enclosure is possible but not recommended.

